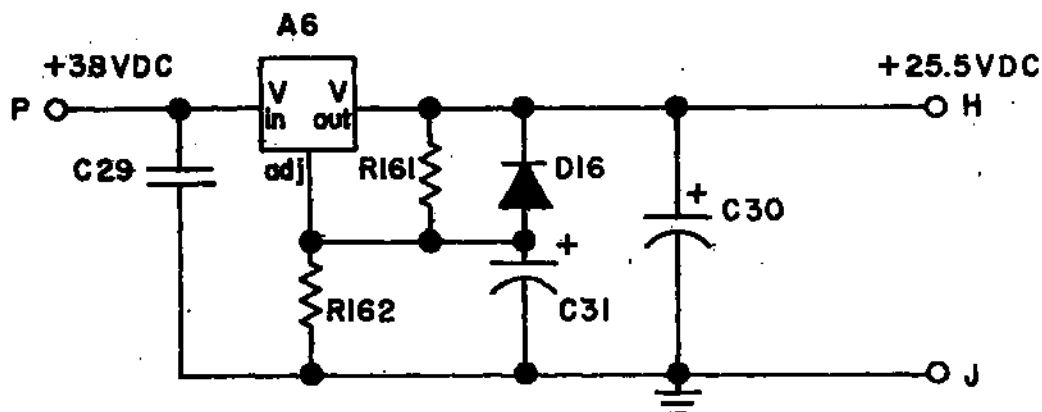


Signature II SERIES PLUG-IN CIRCUITS

PVA VOLTAGE REGULATOR

1130



L P B PARTS LIST

SIG II VOLTAGE REG PLUG-IN ASSY,PVA

ASSY NO. 1130-B

PAGE 1

DATE 5/21/82

SUPERCEDES 3/29/82

SYMBOL	QTY	DESCRIPTION	PART
R161	1	237 OHM, 1/2W, 1% RESISTOR, MET FILM	764-1237
R162	1	4.64K OHM, 1/2W, 1% RESISTOR, MET FILM	764-1365
C29	1	.1 MFD CER DISC CAP 50V	174-1254
C30	1	1.0 MFD AL CAP RAD 50V -10/+75 %	172-1007
C31	1	10 MFD AL CAP RAD 35V -10/+50 %	172-1051
D16	1	IN4007-1000V, 1A SILICON RECTIFIER	781-1037
A6	1	LM317K ADJ VOLT REG IC (TO-3)	363-1003
1	1	SIG II VOLT REG PLUG-IN PCB, BLU/SS	671-1133-B
2	1	TO-3 PC BOARD MOUNT HEATSINK .75"H	331-1011
3	0	THERMAL HEAT SINK COMPOUND-CLEAR	789-1010
4	2	6-32 X 3/8" PAN HD SCREW PHILLIPS	301-1208
5	3	#6 EXTERNAL TOOTH LOCKWASHER	303-1010
6	2	6-32 HEX NUT	302-1010