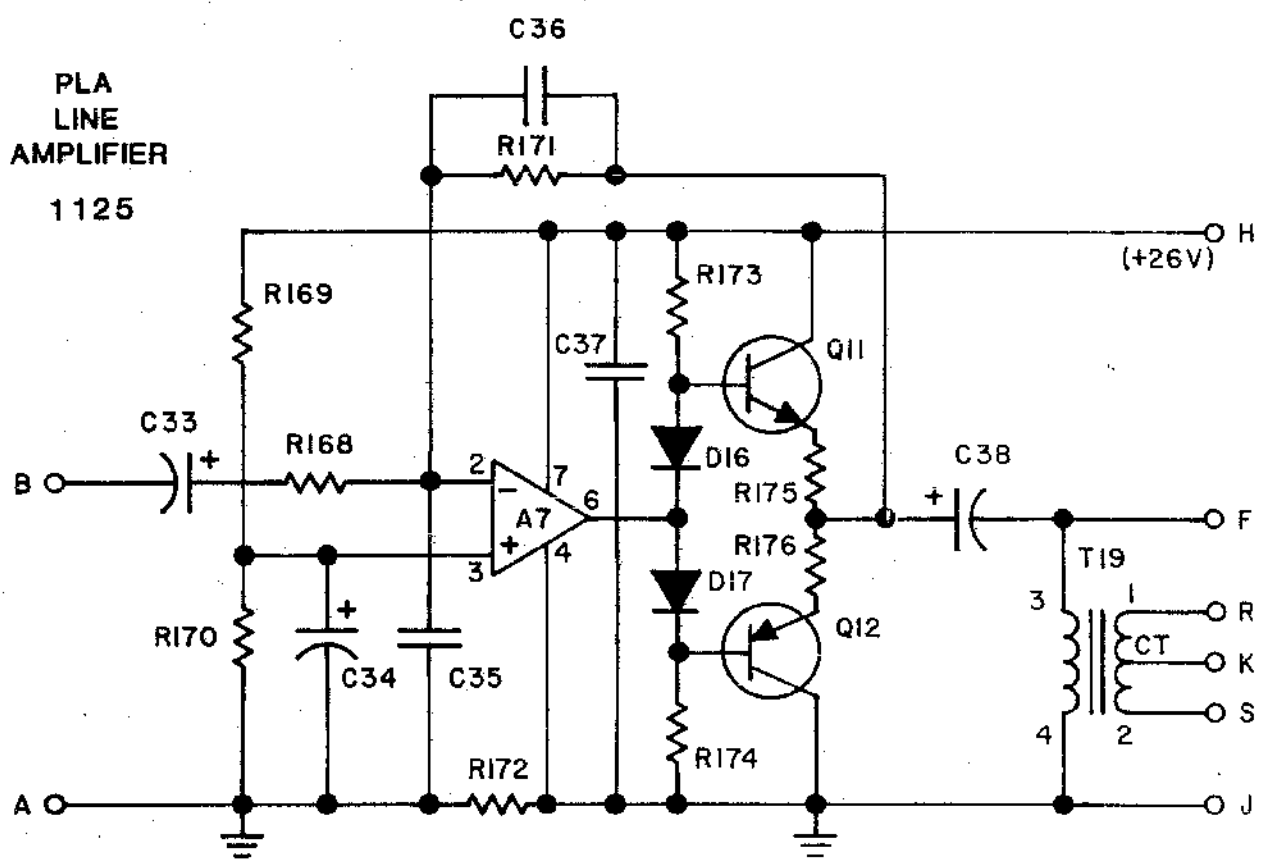


# Signature II SERIES PLUG-IN CIRCUITS



L P B P A R T S L I S T

SIG II LINE OUT AMP PL-IN ASSY,PLA

ASSY NO. 1125-C

PAGE 1

DATE 3/30/83

SUPERCEDES 11/19/82

SYMBOL	QTY	DESCRIPTION	PART	NOTES
R168	1	100 OHM, 1/2W, 5% RESISTOR, CARB FILM	762-2097	
R169	1	47K OHM, 1/2W, 5% RESISTOR, CARB FILM	762-2161	
R170	1	47K OHM, 1/2W, 5% RESISTOR, CARB FILM	762-2161	
R171	1	680K OHM, 1/2W, 5% RESISTOR, CARB FILM	762-2189	
R172	1	10 OHM, 1/2W, 5% RESISTOR, CARB FILM	762-2073	
R173	1	1.3K OHM, 1/2W, 5% RESISTOR, CARB FILM	762-2124	
R174	1	1.3K OHM, 1/2W, 5% RESISTOR, CARB FILM	762-2124	
R175	1	6.8 OHM, 1/2W, 5% RESISTOR, CARB FILM	762-2069	
R176	1	6.8 OHM, 1/2W, 5% RESISTOR, CARB FILM	762-2069	
C33	1	15 MFD AL CAP RAD 35V -10/+50 %	172-1056	
C34	1	100 MFD AL CAP RAD 25V -10/+50 %	172-1117	
C35	1	.001 MFD CER DISC CAP 1000V	174-1155	1
C36	1	2 PF DM CAP 500V +/- .5 PF DM15	171-1006	
C37	1	.1 MFD CER DISC CAP 50V	174-1254	1
C38	1	1000 MFD AL CAP AXL 25V -10/+50 %	172-2182	
D16	1	1N4148 SILICON SIGNAL DIODE	781-1048	
D17	1	1N4148 SILICON SIGNAL DIODE	781-1048	
A7	1	NE5534AN LINEAR IC (8 PIN DIP)	361-1035	
Q11	1	MPSU04 NPN SIL PWR TRANSISTOR, PLAS	782-1181	
Q12	1	MPSU52 PNP SIL PWR TRANSISTOR, PLAS	782-1184	
T19	1	60:600 LINE OUT XFMR PC MNT LPB-026	863-1005	
C60	1		-	2
C61	1		-	2
L1	1		-	2
L2	1		-	2
1	1	SIG II LINE AMP PLUG-IN PCB, BLU/SS	671-1128-C	
2	1	8 PIN IC SOCKET RECESSED	365-1001	
3	3	20 AWG TINNED COPPER BUS WIRE	935-1016	3
4	3	18 AWG TINNED COPPER BUS WIRE	935-1017	4
5	0	SILICONE GLUE	504-1007	4

NOTES:

1. BOTTOM OF CAPACITOR SHOULD BE NO MORE THAN 1/8" ABOVE PCB. SCRAPE COATING OFF LEADS IF NECESSARY.
2. THESE PARTS ARE USED ONLY IN LINE AMPS WITH RFI MODIFICATION.  
C60 & C61 = .001 MFD CERAMIC DISC CAPACITORS (174-1155)  
L1 & L2 = 1.8 UH AIR COILS, PC MOUNT (183-1001)
3. QUANTITY EQUALS LENGTH IN INCHES. SEE ASSY DRAWING FOR INDIVIDUAL LENGTHS AND LOCATIONS.
4. USE TO ANCHOR T19.