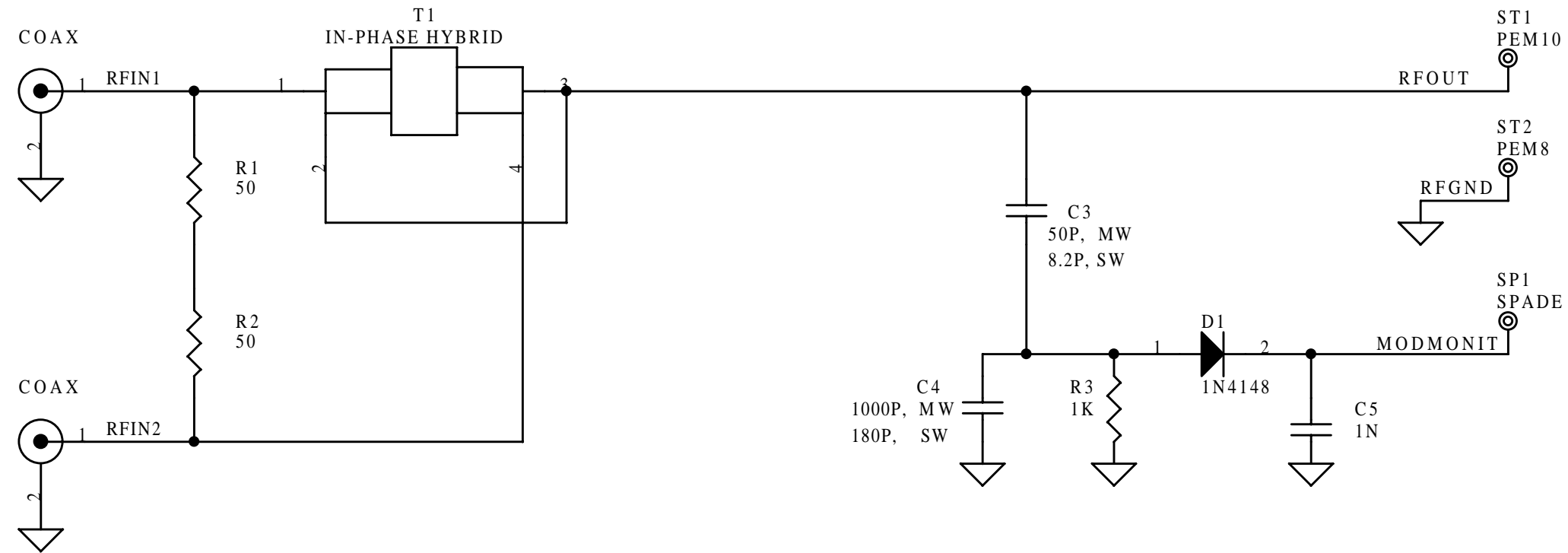


REVISIONS

REV	DESCRIPTION	DATE	APPROVED
0	C2 value changed	03-26-01	RWBORTH
-	Removed RF sample port	02.12.02	JB



NOTE: Components C1, C2, C3, C4, C5, D1, and R3 may not be installed in 1000-A and 1000-SW models.

LPB Communications, Inc.		
960 Brook Road Unit #5 Conshohocken PA 19428		
Title		
OMNI 1000I Hybrid Combiner/Detector PCB		
Size	Document Number	Rev
A	S-L4-200	0
Date:	Tuesday, February 12, 2002	Sheet 1 of 1