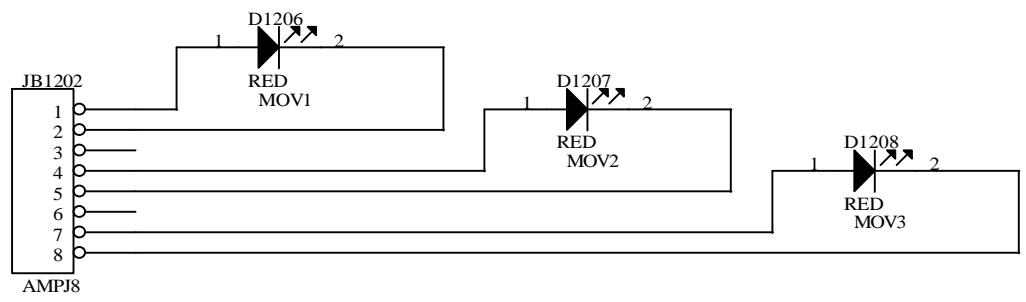
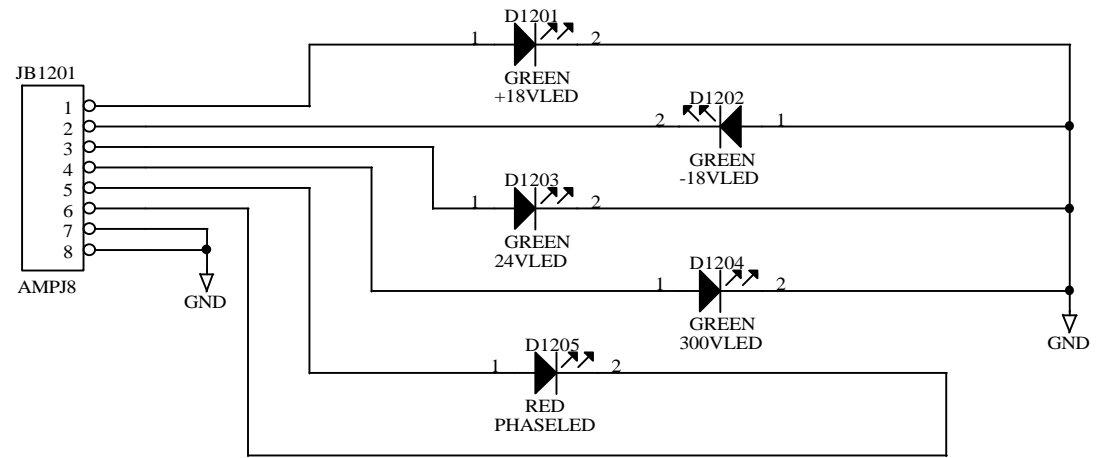


REVISIONS

REV	DESCRIPTION	DATE	APPROVED
1			



NOTE: UNLESS OTHERWISE SPECIFIED
 CAPACITANCE IN FARADS
 INDUCTANCE IN HENRIES
 RESISTANCE IN OHMS

OMNI-1000 USED ON	S-111-000 NEXT ASSY	ENG.
----------------------	------------------------	------

APPROVALS	DATE
DRAWN DLSOLT	12-91
CHECK	
ENG.	

LPB Communications Inc
 960 Brook Road Unit #5 Conshohocken PA 19428

Title Power Supply Front Panel LED		
Size Custom	Document Number S-511-200	Rev 0
Date: Wednesday, July 14, 1999		Sheet 1 of 1