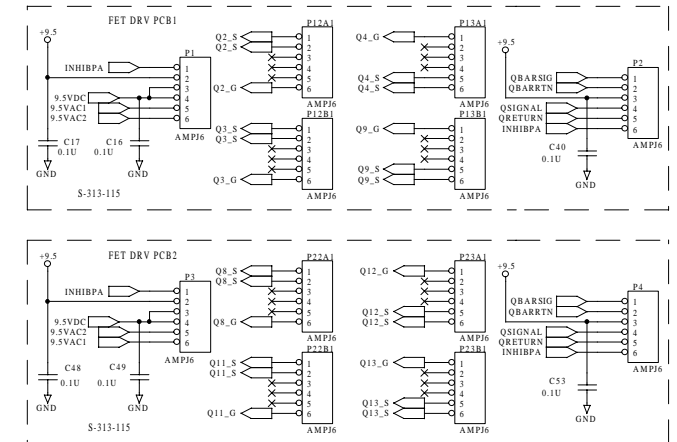
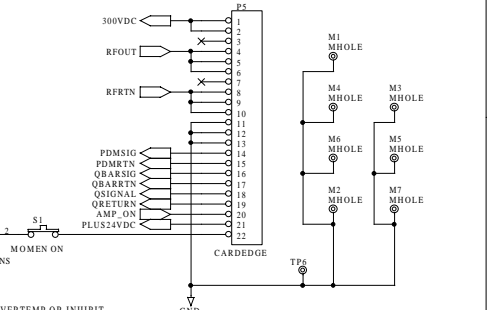


REVISIONS			
REV	DESCRIPTION	DATE	APPROVED
1	SWITCHING REGULATOR, MISC. Q2, Q3, Q4, Q8, Q9, Q11, Q12, Q13 CHNGD FROM IRF450LC TO STW15NB50	01-11-99	RWBORTH
	CHANGED R19 AND REMOVED R24	03-01-99	RWBORTH
		10-24-00	RWBORTH



NOTE: RESISTANCE IN OHMS, CAPACITANCE IN FARADS, INDUCTANCE IN HENRIES UNLESS OTHERWISE NOTED.

LPB Communications Inc
 960 Brook Road Unit #5 Conshohocken PA 19428

Title: **Short Wave 700w Power Amp**

Size: C Document Number: **S-313-110** Rev: 1

Date: Wednesday, October 26, 2000 Sheet: 1 of 1