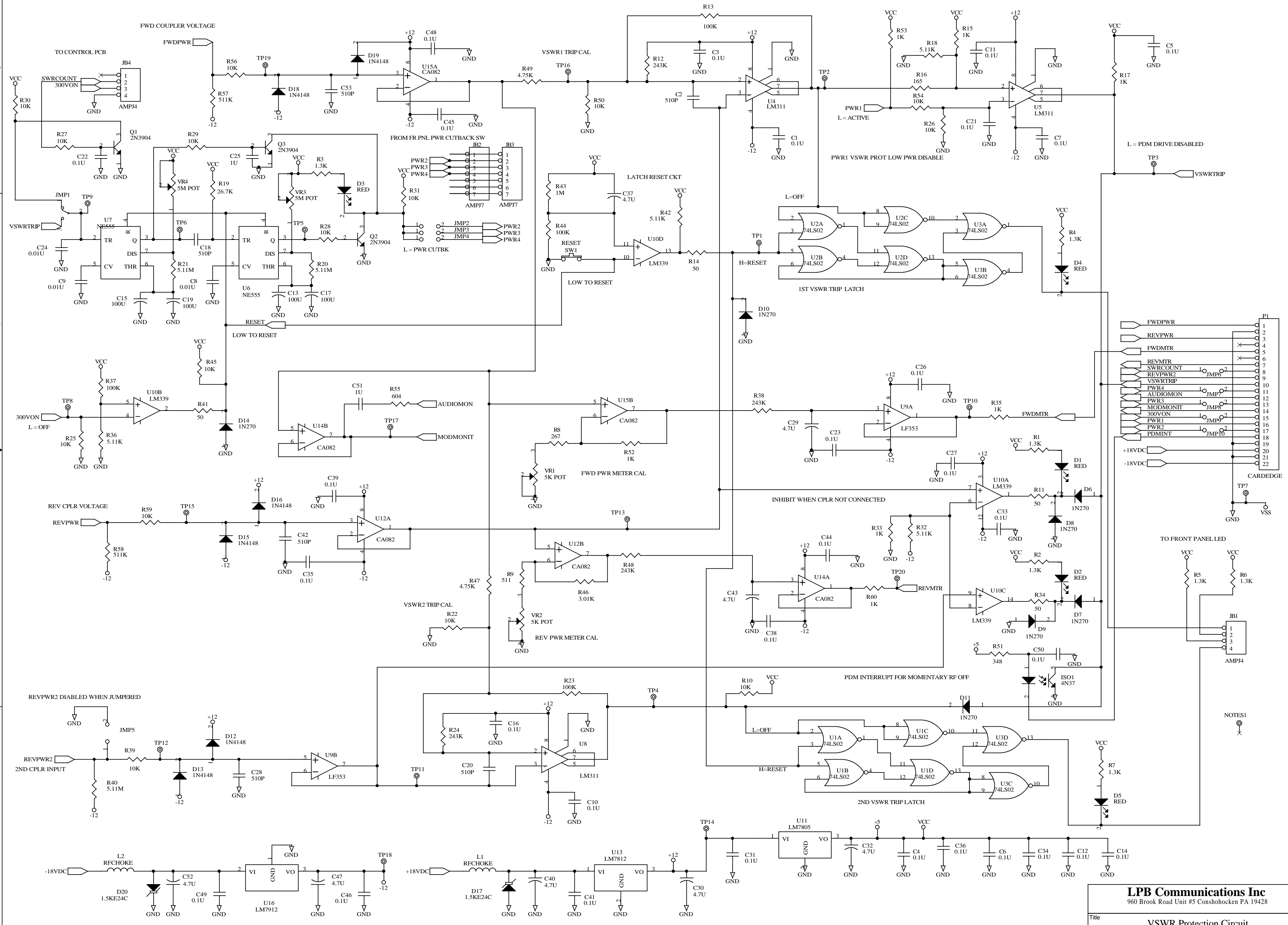


REVISIONS			
REV	DESCRIPTION	DATE	APPROVED
1	SEE CHANGE ORDER 1125-01	02-08-91	DL.SOLT
2	LO PWR INFINITE VSWR, NEW CPLR	11-14-91	DL.SOLT
3	CORRECT TRACK ERROR	1-20-94	JISOLT
4	NEG BIAS, 2ND VSWR LED LATCHES	1-21-97	DL.SOLT
5	CORRECTIONS TO 2ND VSWR	10-20-97	DL.SOLT



NOTE: RESISTANCE IN OHMS, CAPTACITANCE IN FARADS, INDUCTANCE IN HENRIES UNLESS OTHERWISE NOTED

LPB Communications Inc 960 Brook Road Unit #5 Conshohocken PA 19428		
Title VSWR Protection Circuit		
Size C	Document Number S-112-500	Rev 5
Date: Thursday, July 01, 1999	Sheet 1	of 1