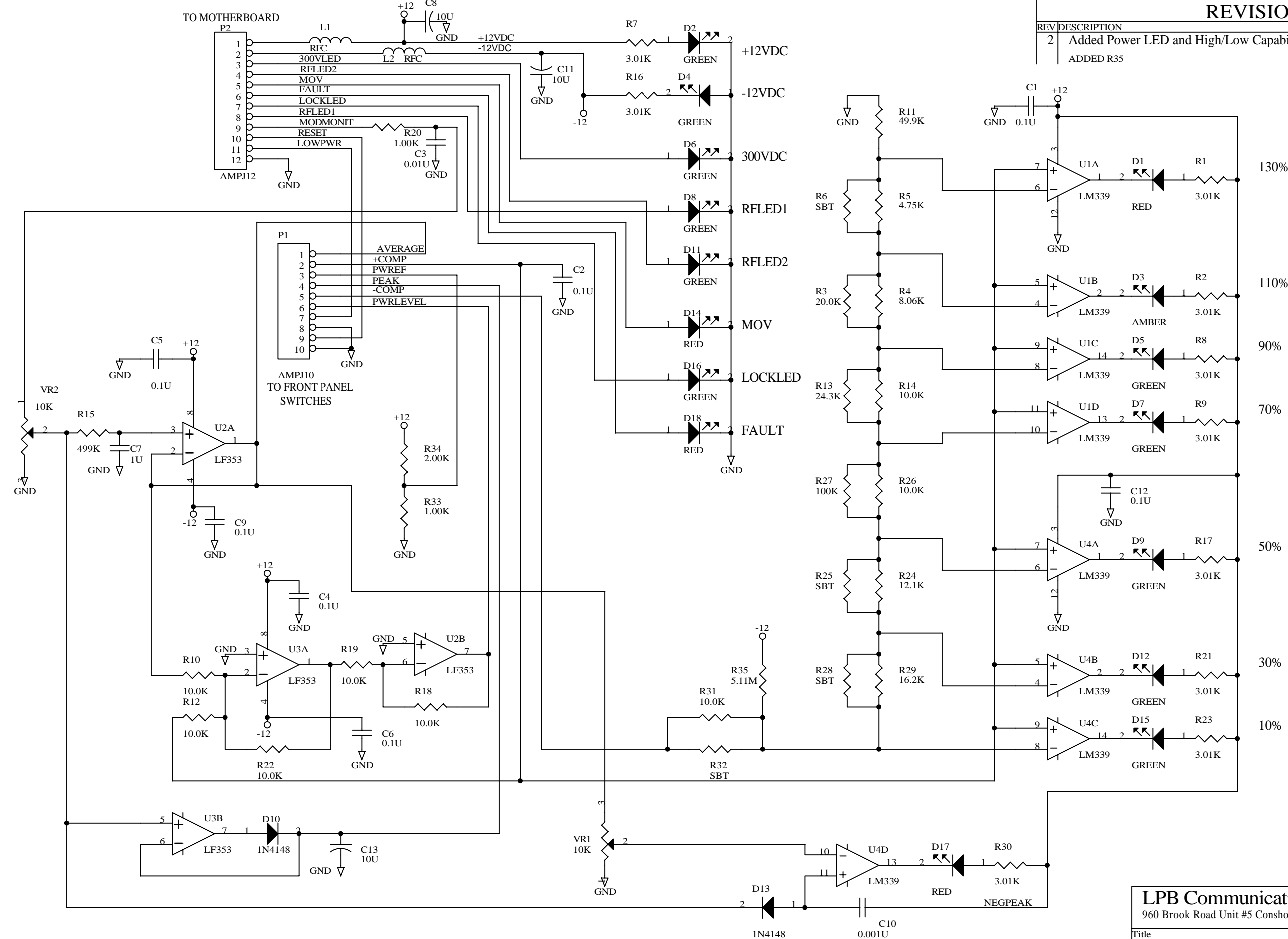


REVISIONS

REV	DESCRIPTION	DATE	APPROVED
2	Added Power LED and High/Low Capability ADDED R35	9-24-99	D.L.Solt
		8-09-00	RWBORTH



LPB Communications, Inc.
 960 Brook Road Unit #5 Conshohocken PA 19428

Title: **500i/1000I LED PCB**

Size	Document Number	Rev
B	S-L5-000	2

Date: Monday, February 11, 2002 Sheet 1 of 1