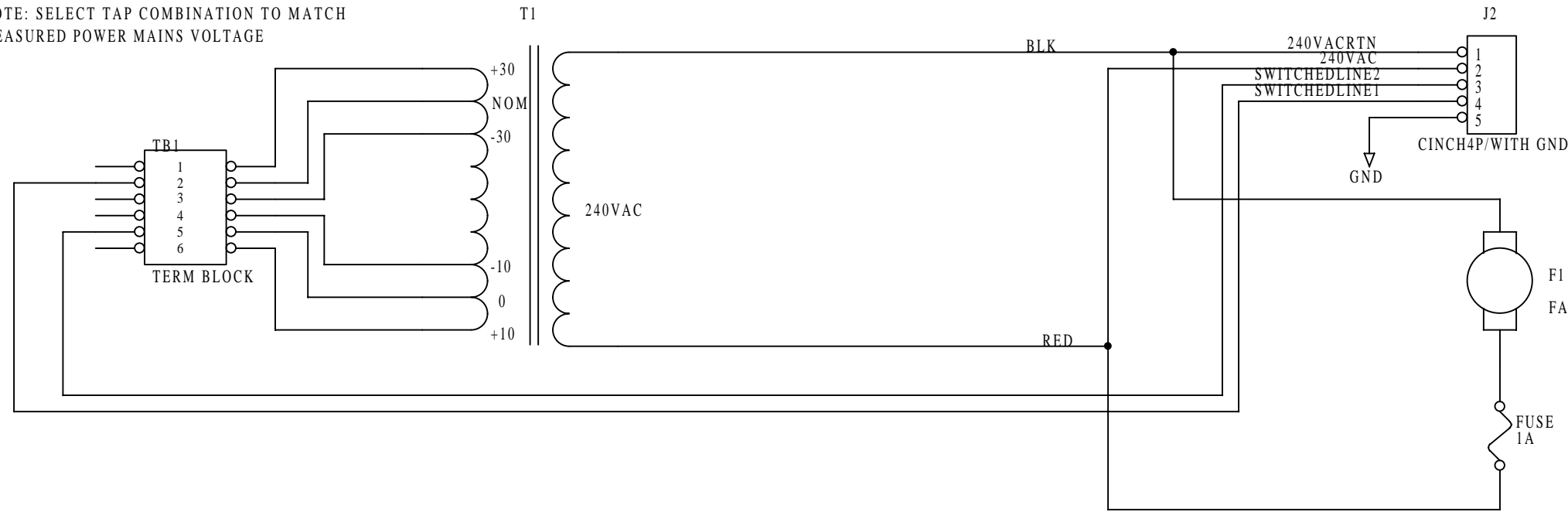


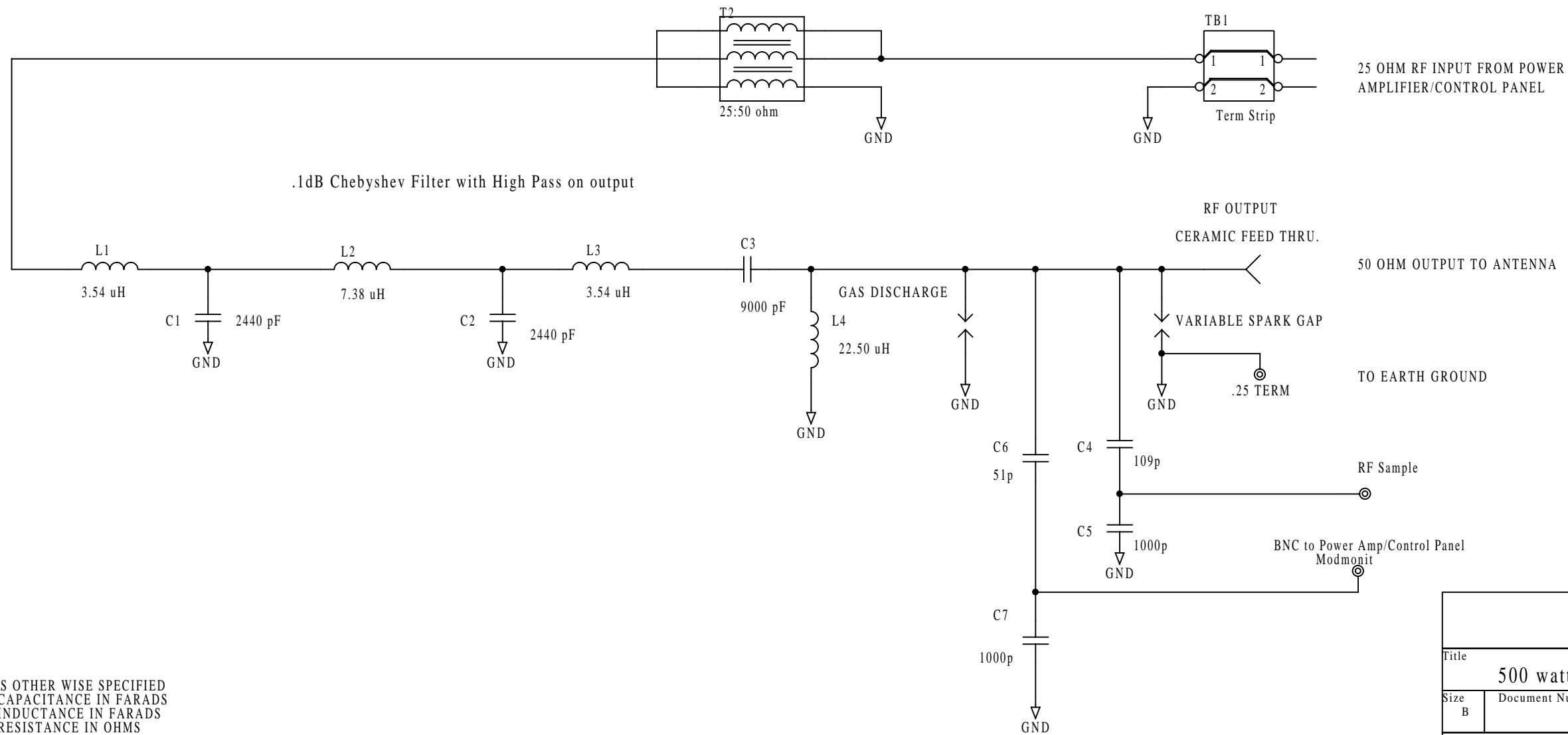
# REVISIONS

REV	DESCRIPTION	DATE	APPROVED
1	Added RF Sample Port old number S-L2-000-FA	02.12.02	JB

NOTE: SELECT TAP COMBINATION TO MATCH MEASURED POWER MAINS VOLTAGE



TO J2 ON POWER AMPLIFIER/CONTROL PANEL



25 OHM RF INPUT FROM POWER AMPLIFIER/CONTROL PANEL

RF OUTPUT CERAMIC FEED THRU.

50 OHM OUTPUT TO ANTENNA

TO EARTH GROUND

NOTE: UNLESS OTHERWISE SPECIFIED  
CAPACITANCE IN FARADS  
INDUCTANCE IN FARADS  
RESISTANCE IN OHMS

**LPB Communications, Inc.**  
960 Brook Unit #5 Conshohocken PA 19428

Title		
500 watt Frequency Agile RF Filter/Power Panel		
Size	Document Number	Rev
B	S-FA-200	1
Date:	Sunday, December 29, 2002	Sheet 1 of 1