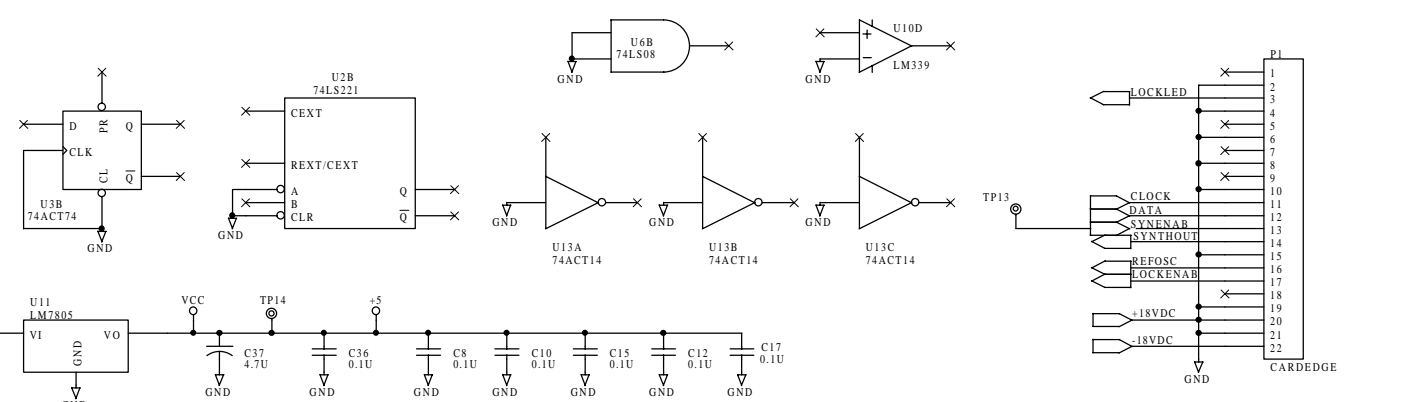


REV	DESCRIPTION	DATE	APPROVED
1	SEE CHANGE ORDER 1122-01	02-08-91	DLSOLT
2	CHANGE REF & DOC #S, R2277	10-28-91	DLSOLT
3	ADDED EXTERNAL REF INPUT	8-6-97	DLSOLT
4	ADDED SCHMIDT TRIGGER	10-23-97	DLSOLT



NOTE: RESISTANCE IN OHMS, CAPACITANCE IN FARADS, INDUCTANCE IN HENRIES UNLESS OTHERWISE NOTED

LPB Communications, Inc.
960 Brook Road Unit #5 Conshohocken PA 19428

Title		FREQUENCY SYNTHESIZER, ANALOG PCB	
Size	Document Number	Rev	
Custom	S-112-250	4	
Date:	Sunday, December 29, 2002	Sheet	1 of 1