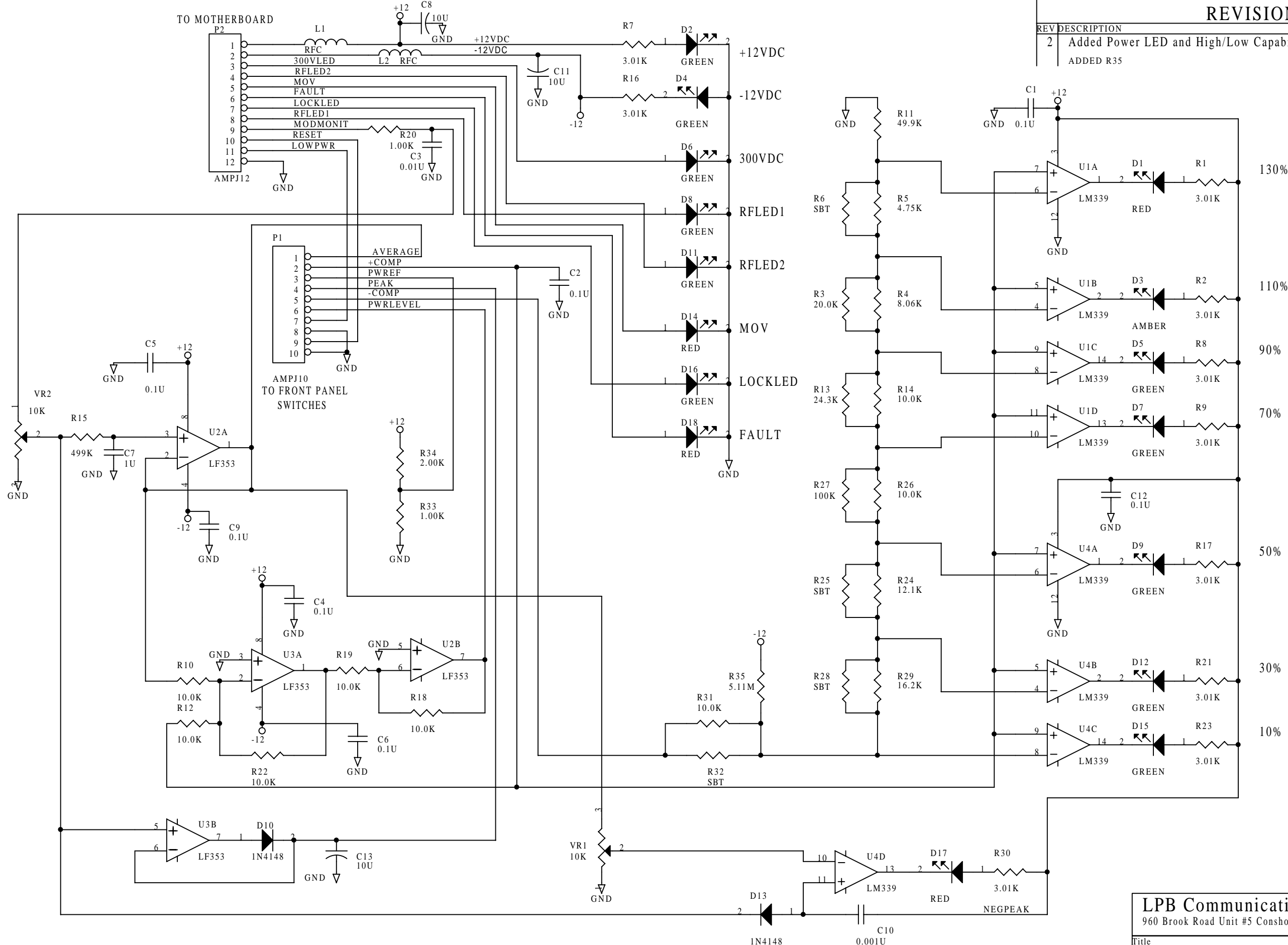


REVISIONS

REV	DESCRIPTION	DATE	APPROVED
2	Added Power LED and High/Low Capability ADDED R35	9-24-99 8-09-00	D.L.Solt RWBORTH



LPB Communications, Inc.
 960 Brook Road Unit #5 Conshohocken PA 19428

Title: **1000I LED PCB**

Size B	Document Number S-L5-000	Rev 2
--------	------------------------------------	----------

Date: Monday, February 11, 2002 Sheet 1 of 1