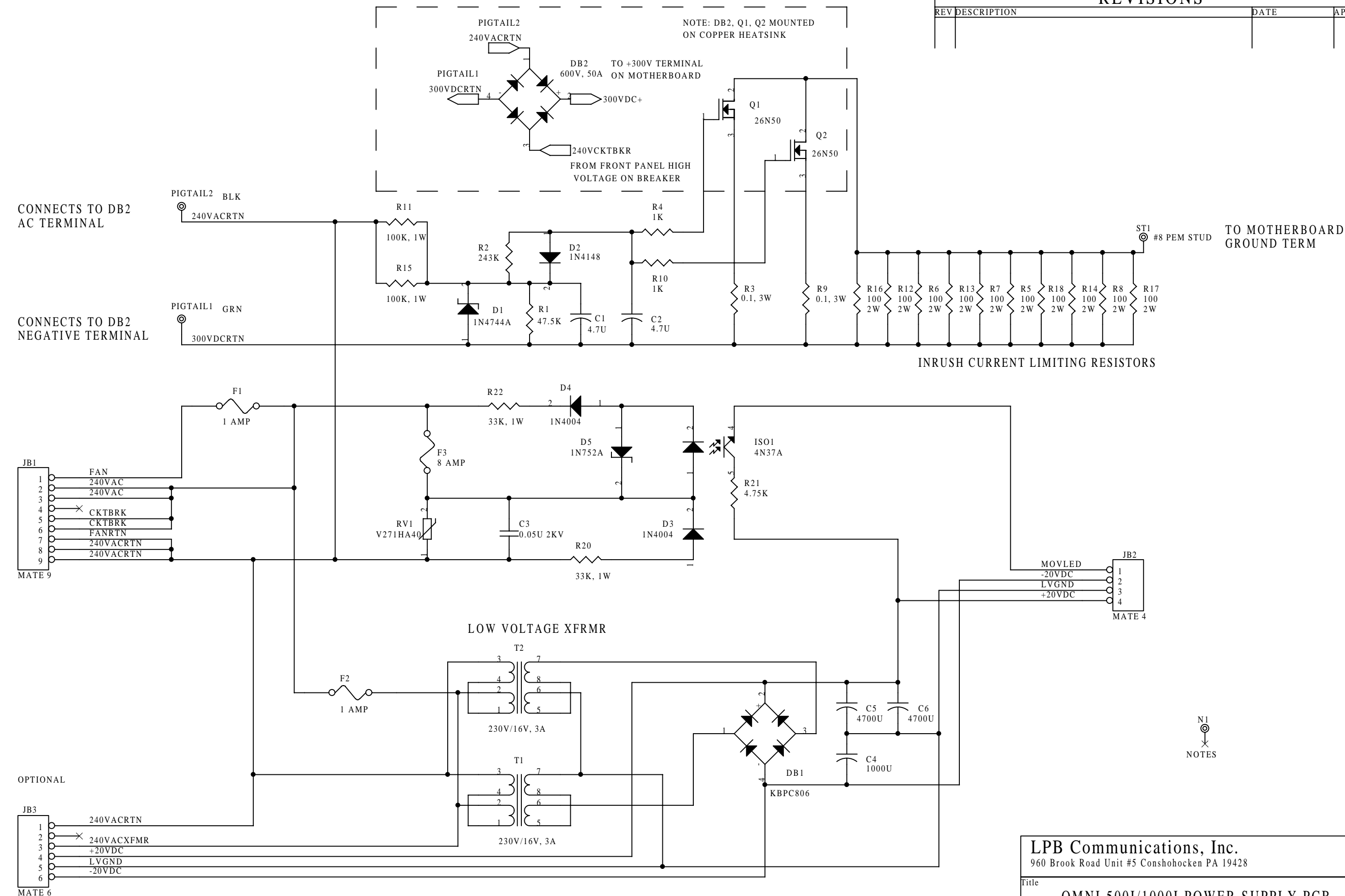


REVISIONS

REV	DESCRIPTION	DATE	APPROVED



NOTE: DB2, Q1, Q2 MOUNTED ON COPPER HEATSINK

TO +300V TERMINAL ON MOTHERBOARD

FROM FRONT PANEL HIGH VOLTAGE ON BREAKER

CONNECTS TO DB2 AC TERMINAL

CONNECTS TO DB2 NEGATIVE TERMINAL

TO MOTHERBOARD GROUND TERM

INRUSH CURRENT LIMITING RESISTORS

LOW VOLTAGE XFRMR

OPTIONAL

N1
X
NOTES

NOTE: T1 AND T2 ARE NOT MOUNTED;
JB3 IS MOUNTED ON 1000I SW MODEL

NOTE: RESISTANCE IN OHMS, CAPACITANCE IN FARADS, INDUCTANCE IN HENRIES.

LPB Communications, Inc.
960 Brook Road Unit #5 Conshohocken PA 19428

Title: **OMNI 5001/1000I POWER SUPPLY PCB**

Size B Document Number **S-L1-000** Rev 0

Date: Monday, February 11, 2002 Sheet 1 of 1