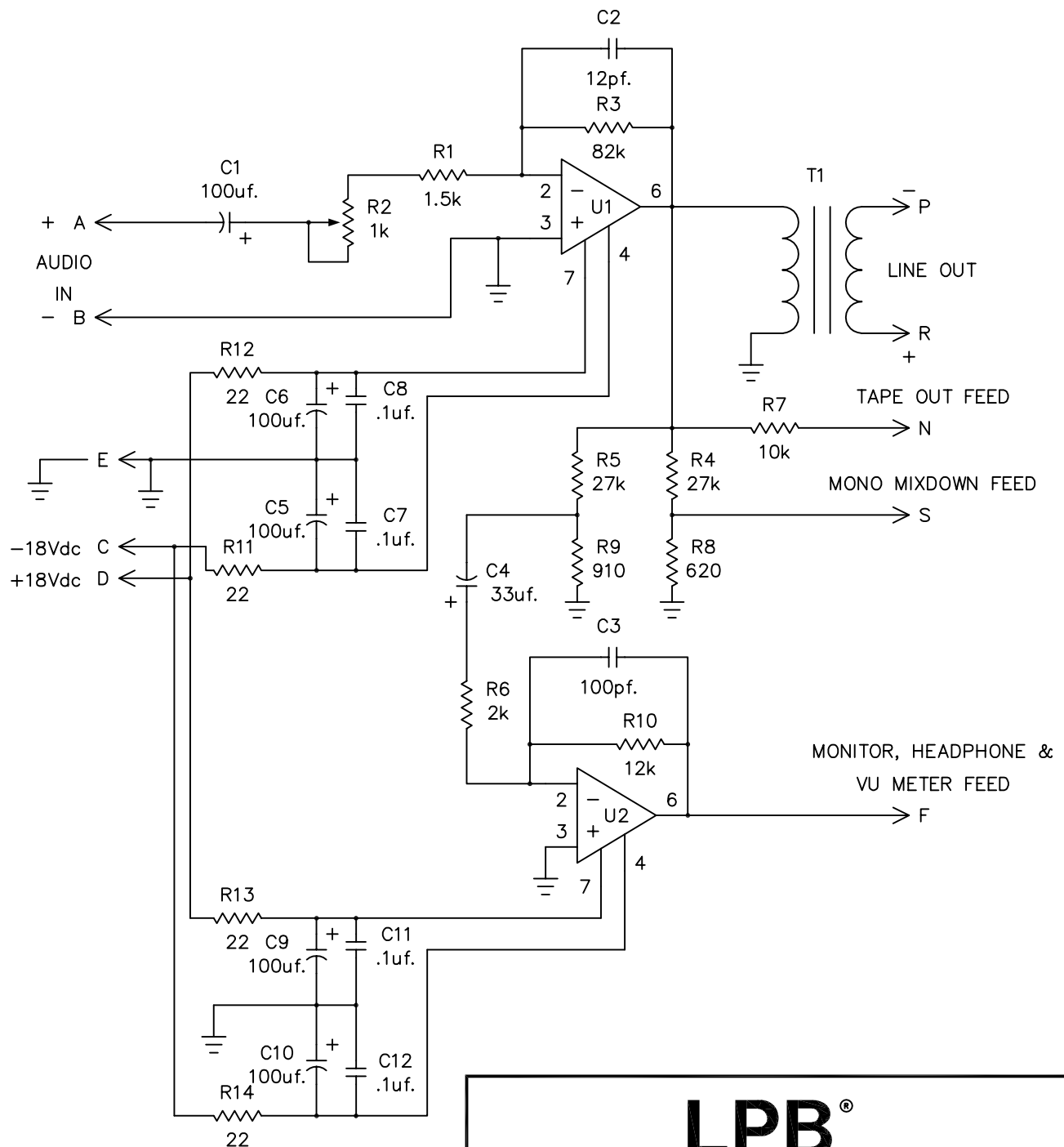


LINE OUTPUT AMPLIFIER
ASSEM. #7115



LPB[®]

28 Bacton Hill Road, Frazer, Penna. 19355

SERIES 7000 12/18 CHANNEL
TRANSFORMER BALANCED LINE OUTPUT AMP

DWN JDB	DATE 6/2/93	SCALE	SH. <u>1</u> OF <u>1</u>
SIZE	DRAWING NO. 7115		REV. B