

CUE SPKR. & MONITOR MUTING BUS

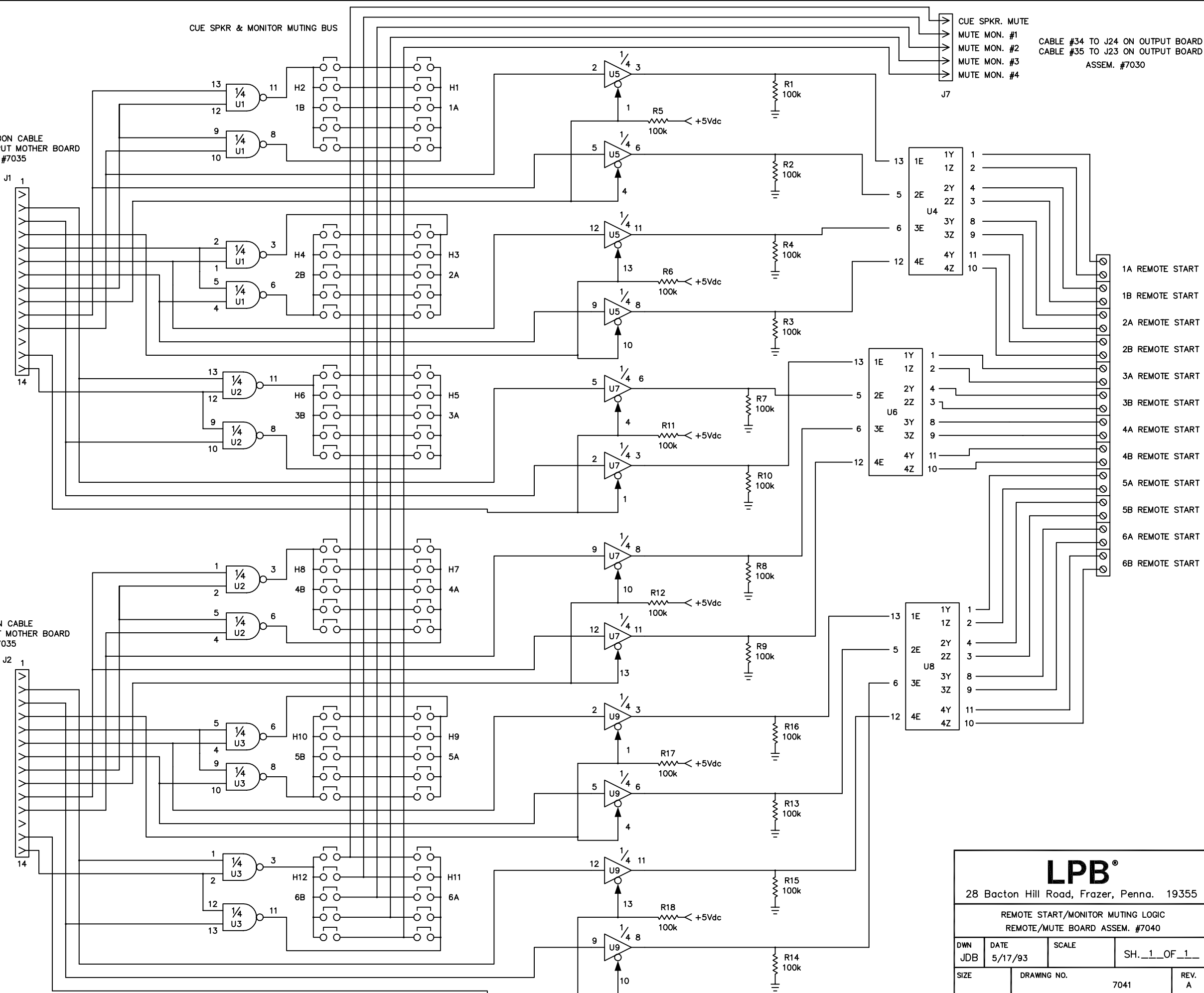
CABLE #34 TO J24 ON OUTPUT BOARD  
CABLE #35 TO J23 ON OUTPUT BOARD  
ASSEM. #7030

14 PIN RIBBON CABLE  
FROM J39 OF INPUT MOTHER BOARD  
ASSEM. #7035

J1  
1 GROUND  
2 3B REM/MUTE ENABLE  
3 3A REM/MUTE ENABLE  
4 MIXER #2 REMOTE START  
5 MIXER #2 MUTE  
6 2A REM/MUTE ENABLE  
7 2B REM/MUTE ENABLE  
8 MIXER #1 MUTE  
9 MIXER #1 REMOTE START  
10 1B REM/MUTE ENABLE  
11 1A REM/MUTE ENABLE  
12 +5Vdc  
13 MIXER #3 REMOTE START  
14 MIXER #3 MUTE

14 PIN RIBBON CABLE  
FROM J40 OF INPUT MOTHER BOARD  
ASSEM. #7035

J2  
1 GROUND  
2 6B REM/MUTE ENABLE  
3 6A REM/MUTE ENABLE  
4 MIXER #5 REMOTE START  
5 MIXER #5 MUTE  
6 5A REM/MUTE ENABLE  
7 5B REM/MUTE ENABLE  
8 MIXER #4 MUTE  
9 MIXER #4 REMOTE START  
10 4B REM/MUTE ENABLE  
11 4A REM/MUTE ENABLE  
12 +5Vdc  
13 MIXER #3 REMOTE START  
14 MIXER #6 MUTE



**LPB®**  
28 Bacton Hill Road, Frazer, Penna. 19355

REMOTE START/MONITOR MUTING LOGIC  
REMOTE/MUTE BOARD ASSEM. #7040

DWN JDB	DATE 5/17/93	SCALE	SH. <u>1</u> OF <u>1</u>
SIZE	DRAWING NO. 7041	REV. A	